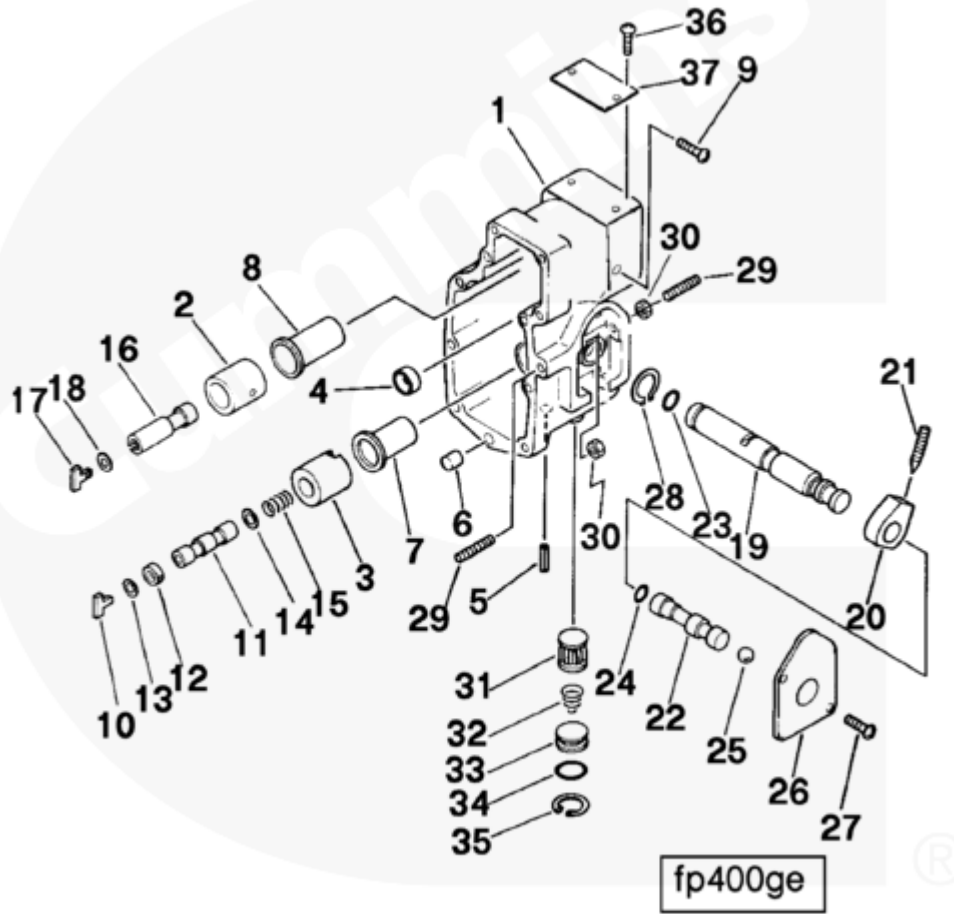




## Parts Catalog - Option Detail

Electronic Parts Catalog - Option Detail				
Option	Group	Graphic	Film Card	Date
FP6828	05.01.1	fp400ge	K38	06-APR-94
<b>Engines</b>	GTA38, K38, KTA38GC CM558, QSK38 CM2150 K106, QSK38 CM2150 MCRS, QSK38 CM850 MCRS			

©Cummins Inc



[SMALL](#) | [MEDIUM](#) | [LARGE](#)

Cart	Ref No	Part Number	Part Description	Required	Remarks
<a href="#">View My Cart</a>					
		<a href="#">FP6828</a>	Fuel Pump Housing		
<input type="checkbox"/>		<a href="#">3095814</a>	Fuel Pump Housing	1	
	1	<a href="#">3279615</a>	Fuel Pump Body	1	

	2	212149	Governor Barrel		
<input type="checkbox"/>	3	3001735	Governor Barrel		
<input type="checkbox"/>	4	100193	Tachometer Drive Bushing	1	
<input type="checkbox"/>	5	70740	Roll Pin	1	
<input type="checkbox"/>	6	118227	Ring Dowel	2	
<input type="checkbox"/>	7	202682	Spring Pack Housing		
<input type="checkbox"/>	8	108384	Spring Pack Sleeve	1	
<input type="checkbox"/>	9	3000594	Socket Head Cap Screw	1	1/4 - 28 X 5/8 Inch.
<input type="checkbox"/>		AR40230	Governor Plunger Drive		
<input type="checkbox"/>	10	70690	Governor Plunger Driver	1	
<input type="checkbox"/>	11	212350	Governor Plunger	1	
<input type="checkbox"/>	12	3048557	Bearing Spacer	1	
<input type="checkbox"/>	13	3027633	Thrust Bearing	1	
<input type="checkbox"/>	14	101841	Shim	A/R	.005 in.
<input type="checkbox"/>	14	101842	Shim	A/R	.010 in.
<input type="checkbox"/>	14	101843	Shim	A/R	.020 in.
<input type="checkbox"/>	15	3002058	Compression Spring		
<input type="checkbox"/>		3040760	Governor Plunger		
<input type="checkbox"/>	16	3040750	Governor Plunger	1	
<input type="checkbox"/>	17	70690	Governor Plunger Driver	1	
<input type="checkbox"/>	18	3027633	Thrust Bearing	1	
<input type="checkbox"/>		3006430	Throttle Shaft	1	
<input type="checkbox"/>	19	3046680	Throttle Shaft	1	
<input type="checkbox"/>	20	3006343	Throttle Lever Stop	1	
<input type="checkbox"/>	21	3006344	Socket Set Screw		
<input type="checkbox"/>	22	3076040	Fuel Pump Adjusting Screw	1	
<input type="checkbox"/>	23	100478	O-Ring Seal	1	
<input type="checkbox"/>	24	213768	O-Ring Seal	1	
<input type="checkbox"/>	25	214139	Ball Plug		

<input type="checkbox"/>	26	<a href="#">3000446</a>	Fuel Control Cover	1	
<input type="checkbox"/>	27	<a href="#">S 2286</a>	Drive Screw	2	3/16 in.
<input type="checkbox"/>	28	<a href="#">163945</a>	Retaining Ring	1	
<input type="checkbox"/>	29	<a href="#">3046407</a>	Socket Set Screw	2	
<input type="checkbox"/>	30	<a href="#">S 270</a>	Regular Hexagon Nut	2	1/4 - 28 UNF.
<input type="checkbox"/>	31	<a href="#">146483</a>	Filter Screen	1	
<input type="checkbox"/>	32	<a href="#">70700</a>	Compression Spring	1	
<input type="checkbox"/>	33	<a href="#">201007</a>	Fuel Pump Filter Cap		
<input type="checkbox"/>	34	<a href="#">145504</a>	O-Ring Seal	1	
<input type="checkbox"/>	35	<a href="#">128807</a>	Retaining Ring	1	
<input type="checkbox"/>	36	<a href="#">S 2286</a>	Drive Screw	4	3/16 in.
<input type="checkbox"/>	37	<a href="#">105375</a>	Nameplate	1	